

Xtralis VESDA LCD Programmer



Description

The Programmer Module allows direct access to all VESDAnet devices on an Xtralis VESDA smoke detection system. It allows configuration and status reporting of detectors, displays and interfaces and is required when installing, commissioning and maintaining an Xtralis VESDA network. By incorporating a user friendly menu, navigation through the comprehensive features of VESDAnet is convenient and simple.

The programmer module is available as a hand-held device (with included DB15 serial cable) or can be mounted into an Xtralis VESDA VLP or Xtralis VESDA VLS detector, a remote mounting box or a 19 inch sub rack.

The two rows of large push buttons enable the user to log ON and navigate through the menu trees to the various command and parameter setting functions. The top row of keys are called “Soft Keys” and are assigned programming options appropriate to the screen being viewed.

Some of the parameters that can be accessed via the programmer include device status reporting, zone number and name allocation, flow normalization, alarm threshold setting (day, night, weekend), initiation of AutoLearn, wiring order, relay testing and event log review.

Up to 14 assigned Users or Administrators with an individual 4 digit Personal Identification Number (PIN), and one Distributor, can log onto a VESDAnet system under one of three levels of access which are password protected:

- User (USR) is only able to view parameters, check status, alarms and reset the system.
- Administrator (ADM) has access to most commands and programming parameters.
- Distributor (DST) is the topmost level and has unlimited access to all commands and parameters in the system.
- Lost PIN numbers can be overcome by obtaining a once only pass number from your Xtralis VESDA dealer.

The programmer automatically logs OFF when not in use for more than 10 minutes. The user is prompted with a beeping sound at 1 minute and at 15 seconds before log OFF. Any key may be pressed to cancel the automatic log OFF process.

Programming Functions

- System configuration
- Detector zone configuration and set up
- Detector zone control
- System status
- Smoke Threshold and Detector Sensitivity settings
- Event Log interrogation
- Commissioning and testing
- Set date and time
- Referencing
- AutoLearn™
- Passwords and user Configuration
- System fault diagnostic

Features

- User friendly menu system
- Supports multiple languages
- Single point access to entire VESDAnet system
- Alarm and fault simulation
- Shows wiring order
- Locates communications failures
- Password security
- Hand held or remote mounting
- Automatic Logoff when inactive
- Backlit LCD screen

Listings/Approvals

- UL
- ULC
- FM
- LPCB
- VdS
- CFE
- ActivFire
- AFNOR

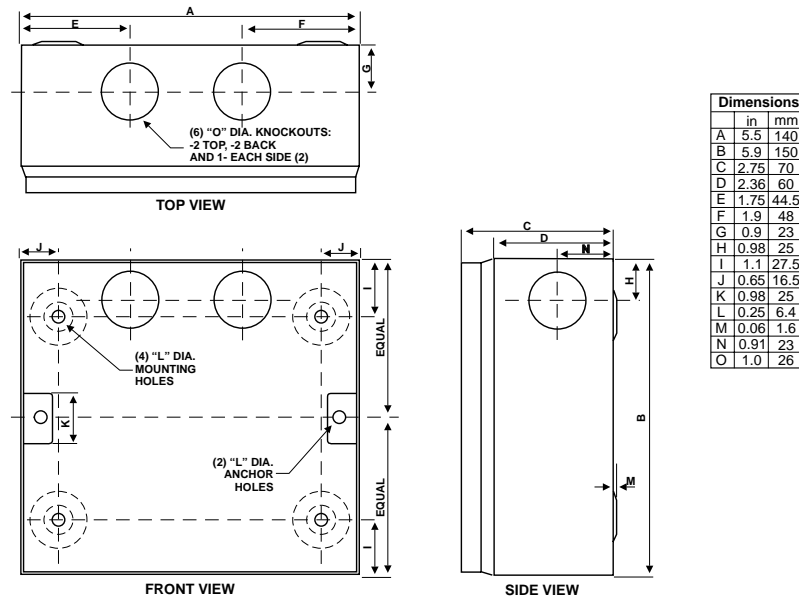
Xtralis VESDA LCD Programmer

Specifications

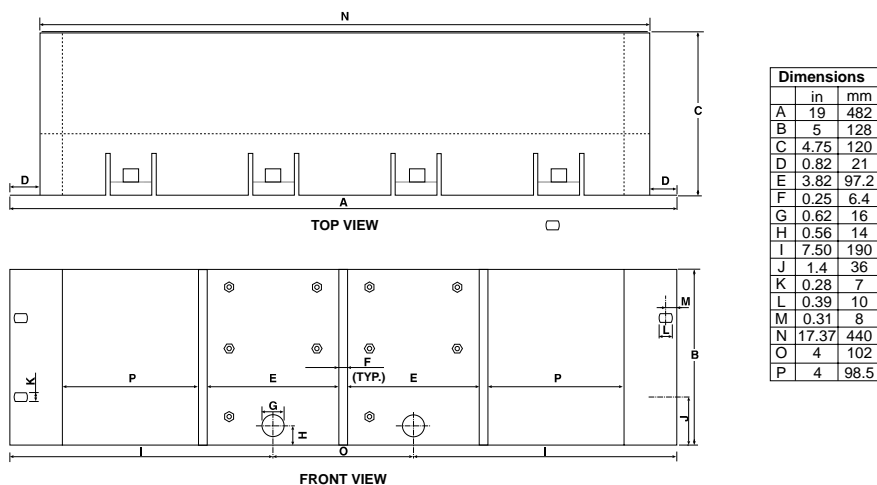
Supply Voltage: 18 to 30 VDC

		Module	Hand Held	Remote
Power (W) @ 24 VDC	Min	1.08 W	1.68	1.2
	Max	1.44 W		
Current (mA) @ 24 VDC	Min	45 mA	70 mA	50 mA
	Max	60 mA		
Dimensions (WHD)	in	3.9 x 5.1 x 1.21	4.1 x 5.3 x 2.4 105 x 135 x 60	5.5 x 5.9 x 3.5 140 x 150 x 90
	mm	98 x 130 x 30		
Connections		Terminal connector to Head Processor Card or to expansion connector on another Xtralis VESDA device	15 pin D-type connector. VESDAnet cable required to connect to detector or remote VESDAnet socket	RS485 VESDAnet field wiring to Screw terminal blocks (0.2–2.5 mm ² , 30–12 AWG)

Remote Mounting Box



19" Sub Rack



www.xtralis.com

The Americas +1 781 740 2223 Asia +852 2916 8894 Australia and New Zealand +61 3 9936 7000
Continental Europe +32 56 24 19 51 UK and the Middle East +44 1442 242 330

The contents of this document are provided on an "as is" basis. No representation or warranty (either express or implied) is made as to the completeness, accuracy or reliability of the contents of this document. The manufacturer reserves the right to change designs or specifications without obligation and without further notice. Except as otherwise provided, all warranties, express or implied, including without limitation any implied warranties of merchantability and fitness for a particular purpose are expressly excluded.

This document includes registered and unregistered trademarks. All trademarks displayed are the trademarks of their respective owners. Your use of this document does not constitute or create a licence or any other right to use the name and/or trademark and/or label.

This document is subject to copyright owned by Xtralis AG ("Xtralis"). You agree not to copy, communicate to the public, adapt, distribute, transfer, sell, modify or publish any contents of this document without the express prior written consent of Xtralis.

Doc. no. 12246_09

Part: 17922

Screen Display Size:

2.75 in x 1.45 in (70 mm x 37 mm)

Full Graphic display

Large characters

8 lines, 21 characters per line

Adjustable backlight screen with contrast control

Inactivity Time Out:

10 minutes (Defaults to log on screen)

Beeps at 1 minute and then 15 seconds before Logoff

Push Button Keys:

2 Rows x 4 keys, each 0.75 in x 0.50 in

(19 mm x 12 mm)

Security Access:

3 characters User ID

4 digit Personal Identification Number (PIN) per User

Number of User Levels:

10 USR

3 ADM

1 DST

Default ID:

USR = User (Operator level)

ADM = Administrator (Access most functions)

DST = VESDA Distributor (Access all functions)

Operating Conditions:

Tested to: 14°F–131°F (-10°C–55°C)

Recommended Detector Ambient: 32°–103°F

(0°C–39°C)

Humidity: 10%–95% RH, non-condensing

System Functions Accessed:

Status of software version

Descriptive Alarms & Faults

Smoke & Flow readings

Push-Button lockout

Display name (21 chars)

Alarm Thresholds (Alert, Action, Fire 1 & Fire 2)

Alarms delays (0–60 seconds)

Day/Night/Weekend/Holiday Options

Event Log (up to 18,000 events)

Zone number and name (21 chars)

Pipes in use (pipe 1 to 4)

Aspirator Speed & Flow control

Confirmation of filter change

Relay configuration

Referencing

Auto Learn™

Addressed Devices:

250 VESDA devices maximum

VESDA addressed Devices:

Xtralis VESDA VLP Detectors & Displays

Xtralis VESDA VLS Detectors & Displays

Xtralis VESDA VLC Detectors & Displays

Xtralis VESDA VLF Detectors & Displays

with Vnet card Detectors & Displays

HLI (High Level Interface)

Relay modules Remote Relays

Ordering Information:

Remote Programmer VRT-100

Recessed Mounting VSP-012

Kit (Optional) VHH-100

Hand-Held Programmer VHH-100

19 inch Sub Rack contact Xtralis

Configuration contact Xtralis

